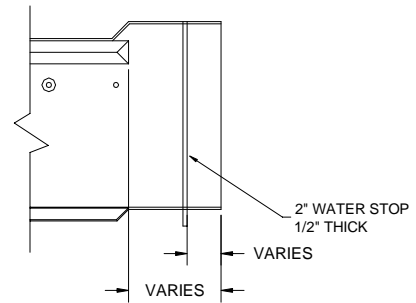
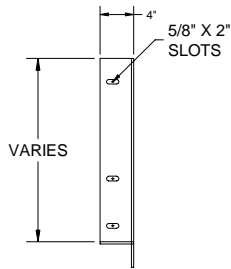
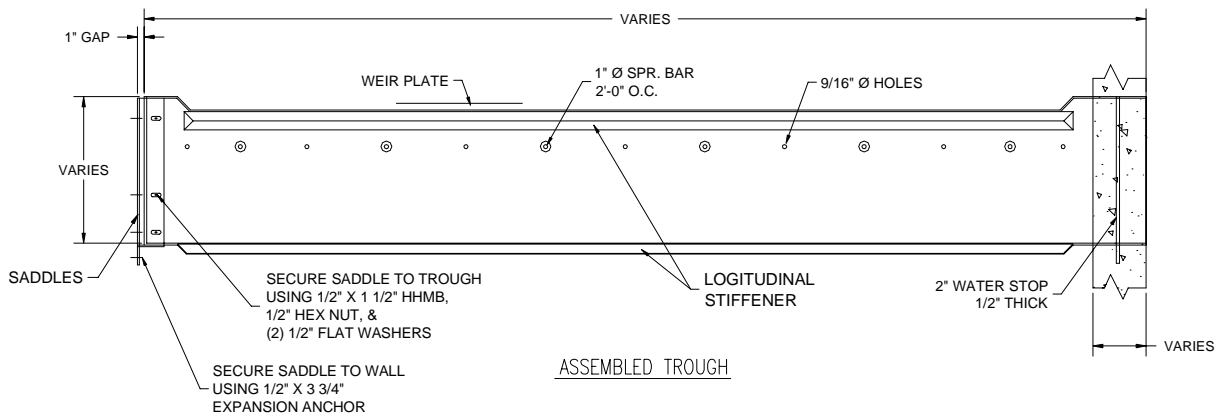


SADDLE DETAIL



2" WATER STOP DETAIL



ASSEMBLED TROUGH

THIS PRINT IS THE PROPERTY OF MOLDED FIBER GLASS/WATER TREATMENT ("MFG"), AND MAY NOT BE REPRODUCED, COPIED, OR DISCLOSED TO ANY THIRD PARTY, IN WHOLE OR IN PART WITHOUT PERMISSION OF MFG, UNLESS OTHERWISE STATED IN WRITING. THE DRAWINGS AND INFORMATION CONTAINED HEREON ARE NOT BINDING ON MFG AND MFG HEREBY DISCLAIMS ALL WARRANTIES, EXPRESSED OR IMPLIED WITH RESPECT TO THE PRODUCTS AND SPECIFICATIONS WHICH ARE DEPICTED IN THIS DRAWING, INCLUDING IMPLIED WARRANTIES MERCHANTABILITY PRODUCTS AND SPECIFICATIONS WHICH ARE DEPICTED IN THE DRAWINGS, INCLUDING IMPLIED WARRANTIES MERCHANTABILITY AND FITNESS FOR PURPOSE.

REVISION REV. B	DATE 08/11/00	TITLE: ROUND BOTTOM TROUGH DETAILS		MFG WATER TREATMENT PRODUCTS COMPANY 55 FOURTH AVENUE UNION CITY, PA. 16438 TOLL FREE: 877-826-2509 PHONE: 814-438-3959 FAX: 814-438-8538 WEB: www.mfgwtp.com
DWG. NO. TROUGH DETAIL	DWN BY			
PART NO.	N/A			